

**STIHL**<sup>®</sup>

# STIHL HLE 71

Instruction Manual





## Contents

Guide to Using this Manual	2
Safety Precautions and Working Techniques	2
Using the Unit	7
Mounting the Drive Tube	9
Mounting the Loop Handle	9
Mounting the Gearbox	10
Adjusting the Cutter Bar	10
Fitting the Harness	12
Connecting to Power Supply	12
Switching On	13
Switching Off	13
Overload Cutout	14
Lubricating the Gearbox	14
Storing the Machine	15
Sharpening Instructions	15
Maintenance and Care	16
Minimize Wear and Avoid Damage	17
Main Parts	18
Specifications	19
Maintenance and Repairs	20
Disposal	20
EC Declaration of Conformity	20
General Power Tool Safety Warnings	21

Dear Customer,

Thank you for choosing a quality engineered STIHL product.

It has been built using modern production techniques and comprehensive quality assurance. Every effort has been made to ensure your satisfaction and troublefree use of the product.

Please contact your dealer or our sales company if you have any queries concerning this product.

Your



Dr. Nikolas Stihl

# STIHL®

HLE 71, HLE 71K

## Guide to Using this Manual

### Pictograms

---

All the pictograms attached to the machine are shown and explained in this manual.

### Symbols in text

---



#### WARNING

Warning where there is a risk of an accident or personal injury or serious damage to property.



#### NOTICE

Caution where there is a risk of damaging the machine or its individual components.

### Engineering improvements

---

STIHL's philosophy is to continually improve all of its products. For this reason we may modify the design, engineering and appearance of our products periodically.

Therefore, some changes, modifications and improvements may not be covered in this manual.

## Safety Precautions and Working Techniques



Because this unit is a high-speed, fast-cutting power tool with very sharp cutting blades and a long reach, special safety precautions must be observed during operation.



It is important that you read the instruction manual before first use and keep it in a safe place for future reference. Non-observance of the instruction manual may result in serious or even fatal injury.

Observe all applicable local safety regulations, standards and ordinances.

If you have not used this type of power tool before: Have your dealer or other experienced user show you how to operate your machine or attend a special course in its operation.

Minors should never be allowed to use a power tool.

Keep bystanders, especially children, and animals away from the work area.

When the power tool is not in use, shut it off so that it does not endanger others. Secure it against unauthorized use.

The user is responsible for avoiding injury to third parties or damage to their property.

Do not lend or rent your power tool without the instruction manual. Be sure that anyone using it understands the information contained in this manual.

The use of noise emitting power tools may be restricted to certain times by national or local regulations.

To operate the power tool you must be rested, in good physical condition and mental health.

If you have any condition that might be aggravated by strenuous work, check with your doctor before operating a power tool.

Do not operate the power tool if you are under the influence of any substance (drugs, alcohol) which might impair vision, dexterity or judgment.

Use your hedge trimmer only for cutting hedges, shrubs, scrub and similar materials.

It must not be used for any other purpose because of the increased risk of accidents and damage to the machine.

**To reduce the risk of accidents**, always disconnect the plug from the power supply before carrying out any work on the power tool.

Never jerk the power cord to disconnect it from the wall outlet. To unplug, grasp the plug, not the cord.

Unsuitable extension cords can be extremely dangerous.

Make sure that the conductor cross section (wire gauge) of extension cords meets the minimum requirements – see chapter on "Connecting to Power Supply".

When you use an extension cord, make sure the plug and coupling are waterproof or positioned in such a way that they cannot come into contact with water.

Only use cutting blades and accessories that are explicitly approved for this power tool by STIHL or are technically identical. If you have any questions in this respect, consult a servicing dealer. Use only high quality tools and accessories in order to avoid the risk of accidents and damage to the machine.

STIHL recommends the use of genuine STIHL tools and accessories. They are specifically designed to match the product and meet your performance requirements.

Never attempt to modify your machine in any way since this may increase the risk of personal injury. STIHL excludes all liability for personal injury and damage to property caused while using unauthorized attachments.

Do not use a pressure washer to clean the unit. The solid jet of water may damage parts of the unit.

Do not spray the power tool with water.

### Clothing and Equipment

Wear proper protective clothing and equipment.



Clothing must be sturdy but allow complete freedom of movement. Wear snug-fitting clothing, an overall and jacket combination, do not wear a work coat.

Avoid clothing that could get caught on branches or brush or moving parts of the machine. Do not wear a scarf, necktie or jewelry. Tie up and confine long hair (e.g. with a hair net, cap, hard hat, etc.).



Wear steel-toed safety boots with non-slip soles.



### **WARNING**



To reduce the risk of eye injuries, wear close-fitting safety glasses in accordance with European Standard EN 166. Make sure the safety glasses are a snug fit.

Wear hearing protection, e.g. earplugs or ear muffs.

Wear a safety hard hat with chin strap where there is a danger of head injuries from falling objects.



Wear robust work gloves made of durable material (e.g. leather).

STIHL offers a comprehensive range of personal protective clothing and equipment.

### Transporting the Power Tool

Always switch off the power tool and unplug it from the power supply.

Always fit the blade guard (scabbard) before carrying your hedge trimmer short distances.

On units with adjustable cutter bar: Engage the cutter bar in position.

On units with a defined transport position: Move the cutter bar to the transport position and make sure it is properly engaged.

Carry the power tool properly balanced by the drive tube – cutting blades behind you. **To reduce the risk of burn injury**, do not touch the gearbox housing.

Transporting by vehicle: Properly secure the power tool to prevent turnover and damage.

### Before Starting Work

Check that your power tool is properly assembled and in good condition – refer to appropriate chapters in the instruction manual.

- Voltage and frequency of the power tool (see rating plate) and the voltage and frequency of your power supply must be the same.
- Check the connecting cord, plug and extension cord for damage. Never use damaged cords, couplings and plugs or connecting cords that do not comply with regulations.
- Receptacles of extension cords must be splash-proof.
- Position and mark the power supply cord so that it cannot be damaged or stepped on, tripped over or endanger others.

- Starting lockout lever and trigger switch must move freely – the switch must return to the idle position when it is released.
- Cutting blades securely mounted and in good condition (clean, move freely, not warped), properly sharpened and thoroughly sprayed with STIHL resin solvent (lubricant).
- On units with adjustable cutter bar: Make sure the adjuster is properly engaged in the required position for starting.
- On units with a defined transport position (cutter bar folded against drive tube): Never operate the unit in the transport position.
- Never attempt to modify the controls or safety devices in any way.
- Keep the handles dry and clean – free from oil and dirt – for safe control of the power tool.
- Adjust shoulder strap and handles to suit your height and reach. See chapter on "Fitting the Harness".

**To reduce the risk of accidents**, do not operate your power tool if it is damaged or not properly assembled.

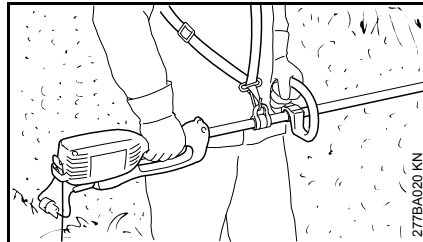
If you use a shoulder strap or full harness: Practice removing and putting down the machine as you would in an emergency. To avoid damage, do not throw the machine to the ground when practicing.

To reduce the risk of electric shock:

- Always connect the power tool to a properly installed wall outlet.
- Make sure the extension cord used complies with the regulations for the intended application.
- Check that the insulation of the power cord, extension cord, plug and coupling is in good condition.

### **Holding and Controlling the Power Tool**

Always hold the power tool firmly with both hands on the handles.



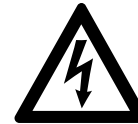
Right hand on control handle, left hand on loop handle on drive tube, even if you are left-handed. Wrap fingers and thumbs firmly around the handles.

Make sure you have firm and secure footing and hold the power tool so that the cutting blades are always away from your body.

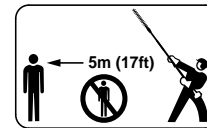
Some versions of the machine can be carried on a harness to relieve the weight on the operator's arms.

### **During Operation**

In case of imminent danger or in an emergency, switch off the motor immediately – release the trigger switch and starting lockout.



**To reduce the risk of electrocution**, keep well clear of electric power lines.



**To reduce the risk of injury from moving blades or falling cuttings**, do not allow bystanders within 5 meters of your own position. **To reduce the risk of damage to property**, also maintain this distance from other objects (vehicles, windows).

Watch the cutting blades at all times – do not cut areas of the hedge that you cannot see.

Be extremely careful when cutting tall hedges, check the other side of the hedge before starting work.



The drive motor is not waterproof. **To reduce the risk of a short circuit or electrocution**, never work with the power tool in the rain or in wet or very damp locations.

Do not leave the power tool outdoors in the rain.

**Take special care in slippery conditions** (ice, wet ground, snow), on slopes or uneven ground.

Clear away fallen branches, scrub and cuttings.

Watch out for obstacles: Roots and tree stumps which **could cause you to trip or stumble**.

Make sure you always have good balance and secure footing.

#### When working at heights:

- Always use a lift bucket
- Never work on a ladder
- Never work on an insecure support
- Never operate your power tool with one hand

Be particularly alert and cautious when wearing hearing protection because your ability to hear warnings (shouts, alarms, etc.) is restricted.

**To reduce the risk of accidents**, take a break in good time to avoid tiredness or exhaustion.

Work calmly and carefully – in daylight conditions and only when visibility is good. Stay alert so as not to endanger others.

The gearbox becomes hot during operation. **To reduce the risk of burn injury**, do not touch the gearbox housing.

If your power tool is subjected to unusually high loads for which it was not designed (e.g. heavy impact or a fall), always check that it is in good condition before continuing work – see also "Before Starting Work". Make sure the safety devices are working properly. Do not continue operating your power tool if it is damaged. In case of doubt, consult your servicing dealer.

Inspect the hedge and work area to avoid damaging the cutting blades:

- Remove stones, rocks, pieces of metal and other solid objects.
- When working close to the ground, make sure that no sand, grit or stones get between the blades.
- Take particular care when cutting hedges next to or against wire fences.

**To avoid the risk of electrocution**, do not touch electric power lines – never cut through electric power lines.



Do not touch the cutting blades while the motor is running. If the cutting blades become jammed by thick branches or other obstructions, switch off immediately and disconnect the plug from the power supply before attempting to free the blades.

If the hedge is very dusty or dirty, spray the blades with STIHL resin solvent from time to time during cutting. This helps reduce blade friction as well as the aggressive effects of sap and the build-up of dirt particles.

The dust that occurs during operation may be harmful to health. If dust levels are very high, wear a suitable respirator.



If the power supply cord is damaged, immediately disconnect the plug from the wall outlet **to avoid the risk of electric shock**.

Never jerk the power cord to disconnect it from the wall outlet. To unplug, grasp the plug, not the cord.

Avoid damage to the power supply cord. Do not drive over it, pinch or tug it.

Position the connecting and extension cords correctly:

- Do not chafe on edges, pointed or sharp objects
- Do not squeeze through gaps in doors or windows
- If cords are twisted – unplug the power tool and straighten them out
- Never touch the cutting attachment
- Always unwind the extension cord completely from the cable drum to reduce the risk of fire from overheating.

Before leaving the power tool unattended: Switch off the power tool and unplug it from the power supply.

Check the cutting blades at regular short intervals during operation or immediately if there is a noticeable change in cutting behavior:

- Switch off the power tool, wait for the cutting blades to come to a standstill, disconnect plug from power supply.
- Check condition and tightness, look for cracks.
- Check sharpness.

Always switch off the power tool and unplug it from the power supply before replacing the cutting blades. This avoids the **risk of injury** from the motor starting unintentionally.

To reduce the risk of fire, always clean plant residue, chips, leaves and excess lubricant off the motor.

### After Finishing Work

Always clean dust and dirt off the machine – do not use any grease solvents for this purpose.

Spray the blades with STIHL resin solvent. Run the motor briefly so that the solvent is evenly distributed.

### Vibrations

Prolonged use of the power tool may result in vibration-induced circulation problems in the hands (whitefinger disease).

No general recommendation can be given for the length of usage because it depends on several factors.

The period of usage is prolonged by:

- Hand protection (wearing warm gloves)
- Work breaks

The period of usage is shortened by:

- Any personal tendency to suffer from poor circulation (symptoms: frequently cold fingers, tingling sensations).
- Low outside temperatures.
- The force with which the handles are held (a tight grip restricts circulation).

Continual and regular users should monitor closely the condition of their hands and fingers. If any of the above

symptoms appear (e.g. tingling sensation in fingers), seek medical advice.

### Maintenance and Repairs

Always switch off the machine and disconnect the plug from the power supply before carrying out any maintenance work to **reduce the risk of injury** from the motor starting unintentionally.

Service the machine regularly. Do not attempt any maintenance or repair work not described in the instruction manual. Have all other work performed by a servicing dealer.

STIHL recommends that you have servicing and repair work carried out exclusively by an authorized STIHL servicing dealer. STIHL dealers are regularly given the opportunity to attend training courses and are supplied with the necessary technical information.

Only use high-quality replacement parts in order to avoid the risk of accidents and damage to the machine. If you have any questions in this respect, consult a servicing dealer.

STIHL recommends the use of genuine STIHL replacement parts. They are specifically designed to match your machine model and meet your performance requirements.

Never attempt to modify your power tool in any way since this will increase the risk of personal injury.

Regularly check that the insulation of the power cord and plug is in good condition and shows no sign of ageing (brittleness).

Electrical components, e.g. power cord, may only be repaired or replaced by a qualified electrician.

Clean plastic components with a cloth. Do not use aggressive detergents. They may damage the plastic.

Do not spray the machine with water.

Check tightness of mounting screws on safety devices and the cutting attachment and retighten if necessary.

Clean cooling air inlets in motor housing as necessary.

Store the machine in a safe and dry place.



## Using the Unit

### Cutting Season

Observe country-specific or municipal rules and regulations for cutting hedges.

Do not use your power tool during other people's normal rest periods.

### Preparations

Use lopping shears or a chain saw to cut out thick branches first.

### Cutting Sequence

If a radical cut is necessary, cut a little at a time in several stages.

Cut the sides of the hedge first, then the top.

### Disposal

Do not throw cuttings into the garbage can – they can be composted.

### Working Technique

#### Horizontal Cut (with cutter bar at an angle)



Cutting close to the ground from a standing position, e.g. low shrubs.

#### **WARNING**

The K version is not approved for cutting close to the ground.

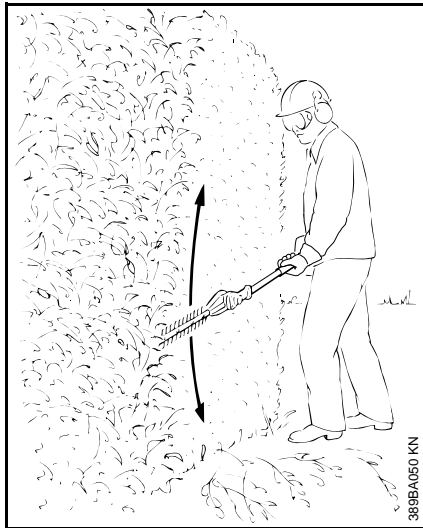
#### Vertical Cut (with cutter bar at an angle)



Cutting without standing directly next to the hedge, e.g. flowerbed between operator and hedge.

Swing the cutter bar up and down in an arc as you move along the hedge – use both sides of the cutting blades.

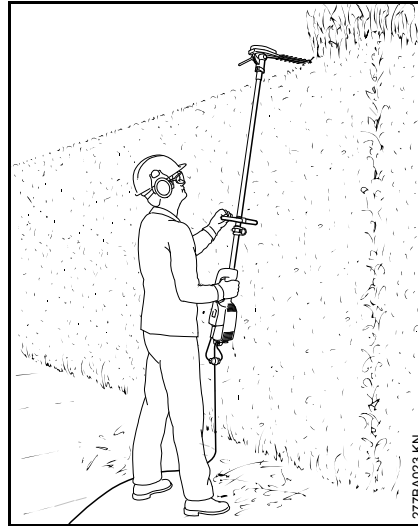
### Vertical Cut (with straight cutter bar)



Extra long reach without the need for other aids.

Swing the cutter bar up and down in an arc as you move along the hedge – use both sides of the cutting blades.

### Overhead Cut (with cutter bar at an angle)

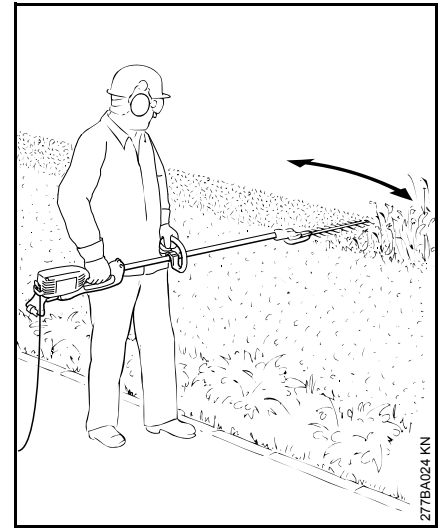


Hold the hedge trimmer vertically and swing it in an arc to make maximum use of its reach.

### **WARNING**

Any working position above head height is tiring. To minimize the risk of accidents, work in such positions for short periods only. Set angle of adjustable cutter bar to maximum so that the unit can be held in a lower, less tiring position (with shoulder strap) while still providing adequate reach.

### Horizontal Cut (with straight cutter bar)

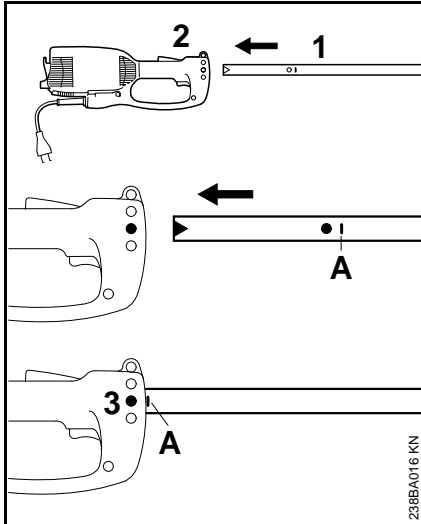


Cutting without standing directly next to the hedge, e.g. flowerbed between operator and hedge.

Hold the cutter bar at an angle of 0° to 10° as you swing the hedge trimmer horizontally.

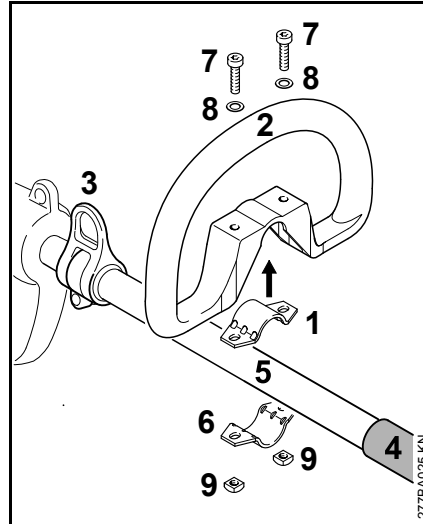
Swing the cutter bar in an arc towards the outside of the hedge so that the cuttings are swept to the ground.

## Mounting the Drive Tube

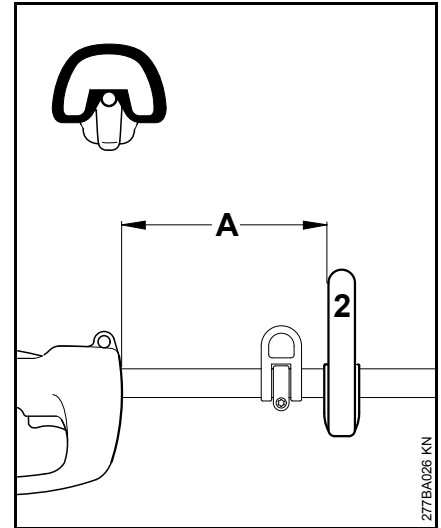


- Pull the protective cap off the drive tube.
- Push the drive tube (1) into the motor housing (2) as far as the mark (A), turning the drive tube back and forth at the same time.
- Tighten down the screw (3) in the housing firmly.

## Mounting the Loop Handle



- Place the clamp (1) in the loop handle (2) and position them both against the drive tube (5) between the carrying ring (3) and handle hose (4).
- Place the clamp (6) against the drive tube.
- Line up the holes.
- Insert the screws (7) with washers (8).
- Fit the square nuts (9) and screw home the screws.

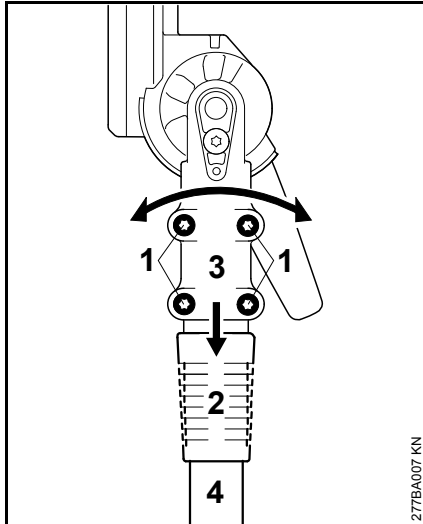


- Align the loop handle (2) and move it to the most comfortable position.

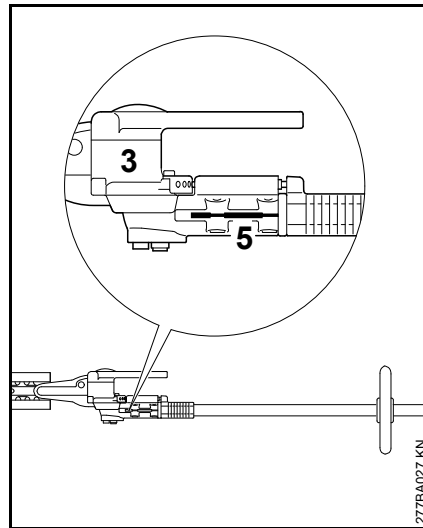
Distance (A) must not be more than 45 cm. Recommendation: about 35 cm.

- Tighten down the screws firmly.

## Mounting the Gearbox



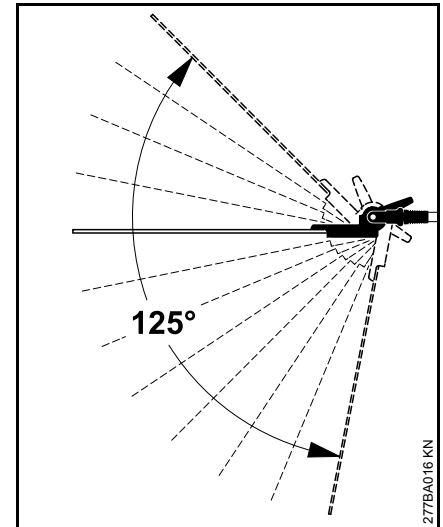
- Loosen the clamp screws (1).
- Line up the sliding sleeve (2) – it must be in line with the opening in the angle drive.
- Push the gearbox (3) onto the drive tube (4), turn the gearbox back and forth as necessary.



- Once the end of the drive tube is inserted beyond the slot in the clamp (5), push the gearbox fully home.
- Tighten down the clamp screws moderately.
- Line up the gearbox (3).
- Tighten down the clamp screws firmly.

## Adjusting the Cutter Bar

### Adjustment mechanism 125°



In this version, the angle of the cutting bar relative to the shaft is adjustable from 0° (completely straight) to 45° (in 4 stages upward) and to 80° (in 7 stages downward). Twelve individually adjustable working positions are possible.

Additionally, the cutting bar can be set to a defined transport position.

### WARNING

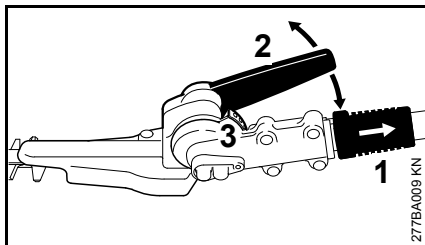
Make adjustments only when the cutting blades are at a standstill – motor switched off.

### ! WARNING

The gearbox becomes hot during operation. Never touch the gear housing – **risk of burns!**

### ! WARNING

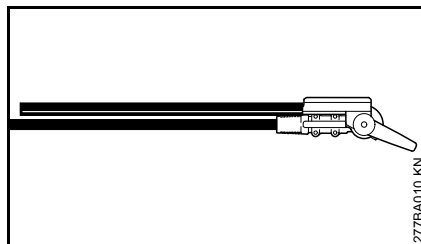
Never grab the blade when making adjustments – **risk of injury!**



- Pull back the sliding sleeve (1) and use the lever (2) to move the joint by one or more holes in the perforated strip
- Release the sliding sleeve (1) again and allow the bolt to engage in the perforated strip (3)

When the bolt is engaged (after completion of adjustment), the sliding sleeve will be flush with the housing again.

### Transport position



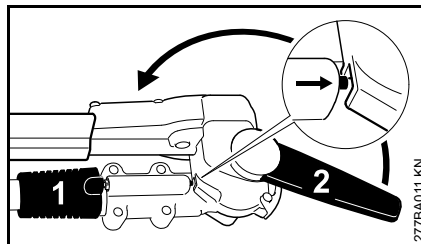
For compact transport of the machine, in this version, the cutter bar can be swung parallel to the shaft and locked in this position.

### ! WARNING

The cutter bar must only be moved from working position into transport position or the other way around when the motor is switched off and the blades are covered by the blade guard.

### ! WARNING

The gearbox becomes hot during operation. Never touch the gear housing – **risk of burns!**



- Switch off the motor
- Slide on the blade guard

- Pull back the sliding sleeve (1) and use the lever (2) to pivot the joint upward toward the shaft until the cutter bar is parallel to the shaft
- Release the sliding sleeve (1) again and allow the bolt to engage in the position provided for this in the housing

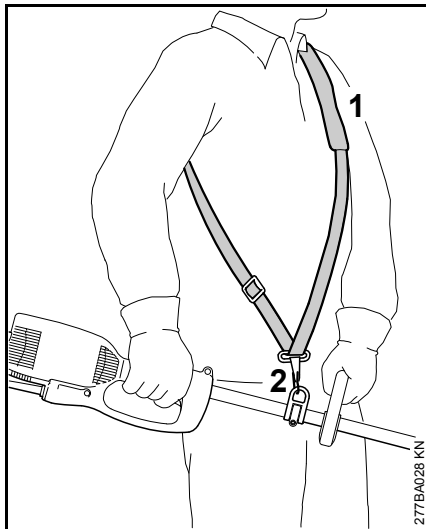
When the bolt is engaged (after completion of adjustment), the sliding sleeve will be flush with the housing again.

## Fitting the Harness

Some versions of the machine can be carried on a harness.

The type and style of the harness depend on the market.

### Shoulder strap



- Put on the shoulder strap (1).
- Adjust the length of the strap so that the carabiner (2) is about a hand's width below your right hip.

## Connecting to Power Supply

The voltage and frequency of the machine (see rating plate) must match the voltage and frequency of the power connection.

The minimum fuse protection of the power connection must comply with the specifications – see "Specifications".

The machine must be connected to the power supply via an earth-leakage circuit breaker to disconnect the power supply if the differential current to earth exceeds 30 mA.

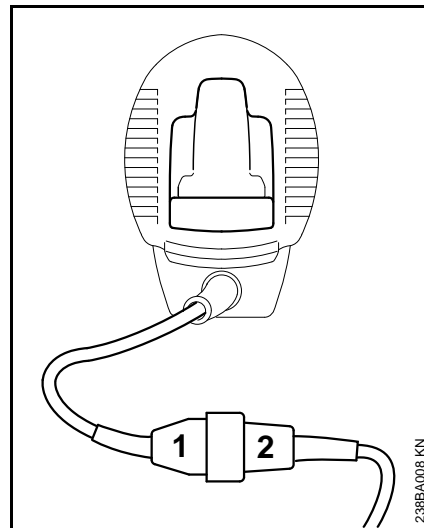
The power connection must correspond to IEC 60364 and relevant national regulations.

### Extension cord

The design of the extension cord must at least fulfill the same features as the connecting cord on the machine. Observe the design marking (type designation) on the connecting cord.

The cores in the cord must have the following minimum cross-section depending on the mains voltage and cord length.

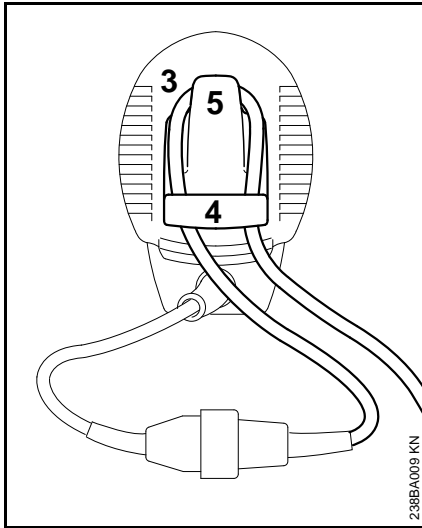
Cord length	Minimum cross-section
<b>220 V – 240 V:</b>	
Up to 20 m	1.5 mm <sup>2</sup>
20 m to 50 m	2.5 mm <sup>2</sup>
<b>100 V – 127 V:</b>	
Up to 10 m	AWG 14 / 2.0 mm <sup>2</sup>
10 m to 30 m	AWG 12 / 3.5 mm <sup>2</sup>



- Insert the plug (1) into the extension cord coupling (2).

### Strain Relief

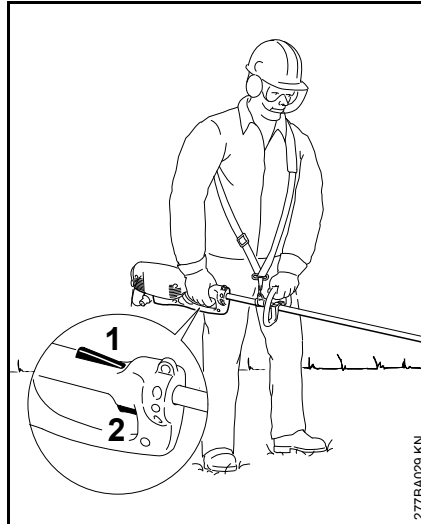
The strain relief (cord retainer) protects the appliance cord against damage.



238BA009 KN

- Make a loop (3) in the extension cord.
- Pass the loop (3) through the opening (4).
- Slip the loop (3) over the hook (5) and pull it tight.
- Connect the extension cord plug to a properly installed wall outlet.

## Switching On



277BA029 KN

- Make sure you have a secure and firm footing.
- Hold your unit with both hands – right hand on the control handle – left hand on the loop handle.
- Stand upright – hold the unit in a relaxed position and always on right side of your body.
- Make sure the cutting attachment is not touching the ground or any other objects.
- Press down the starting lockout lever (1) and hold it in that position.
- Squeeze the trigger switch (2) and hold it in that position.

## Switching Off

- Release the trigger switch and starting lockout lever.

### WARNING

Note that the cutting attachment continues to run for a short period after you let go of the throttle trigger and starting lockout lever – **flywheel effect**.

During longer work breaks – disconnect the plug from the power supply.

When the machine is not in use, shut it off so that it does not endanger others.

Secure it against unauthorized use.

## Overload Cutout

The machine is equipped with an overload cutout.

The overload cutout disconnects the power supply in the event of mechanical overload, e. g., due to

- Excessive feed effort
- "Killing" of the motor speed
- Pinching of the trimmer blades in the cut

If the overload cutout has disconnected the power:

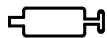
- Remove the trimmer blades from the cut
- Wait for approx. 3 minutes until the overload cutout has cooled down

Do not switch on the machine during this time, because this substantially extends the cooling down period.

Once the machine starts again:

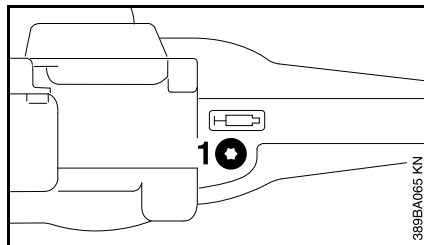
- Let the machine run for approx. 15 seconds without load – this cools the windings of the motor and substantially delays renewed triggering of the overload cutout

## Lubricating the Gearbox



### Blade drive

For the blade drive, use STIHL gear lubricant for hedge trimmers (special accessory).



- Check lubricant filling periodically and after approx. every 25 hours of operation
- Unscrew the locking screw (1) – if no lubricant is visible on the inside of it, then screw in the lubricant tube
- Squeeze up to 5 g of lubricant into the gear unit

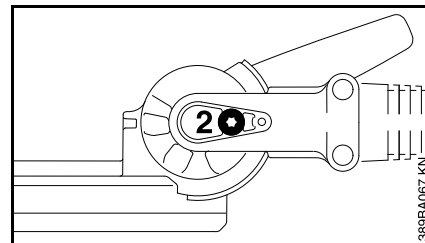


Do not completely fill the gear unit with lubricant.

- Unscrew lubricant tube
- Refit locking screw (1) and tighten securely

### Angle drive

For the angle drive, use STIHL gear lubricant for hedge trimmers (special accessory).



- Check lubricant filling periodically and after approx. every 25 hours of operation
- Unscrew the locking screw (2) – if no lubricant is visible on the inside of it, then screw in the lubricant tube
- Squeeze up to 5 g of lubricant into the gear unit



Do not completely fill the gear unit with lubricant.

- Unscrew lubricant tube
- Refit locking screw (2) and tighten securely



## Storing the Machine

If the machine is to remain out of use for approx. 3 months or more

- Clean the cutting blades, check condition and spray with STIHL resin solvent
- Fit blade guard over the blades
- Thoroughly clean the machine, especially the ventilation slots
- Store the machine in a dry, secure place using the built-in ring on the bottom of the motor housing. Protect against unauthorized use (e. g., by children)

## Sharpening Instructions

When cutting performance and behavior begin to deteriorate, i.e. blades frequently snag on branches: Resharpener the cutting blades.

It is best to have the cutting blades resharpened by a dealer on a workshop sharpener. STIHL recommends a STIHL servicing dealer.

It is also possible to use a flat crosscut sharpening file. Hold the sharpening file at the prescribed angle (see "Specifications").

- Only sharpen the cutting edge – do not file blunt projecting parts of the cutting blade or the cutting blade guard (see "Main Parts and Controls")
- Always file towards the cutting edge.
- The file only sharpens on the forward stroke – lift it off the blade on the backstroke.
- Use a whetstone to remove burr from cutting edge.
- Remove as little material as possible.
- After sharpening, clean away filing or grinding dust and then spray the cutting blades with STIHL resin solvent.



Do not operate your machine with dull or damaged cutting blades. This may cause overload and will give unsatisfactory cutting results.

## Maintenance and Care

The following maintenance intervals apply in normal operating conditions. The specified intervals must be shortened accordingly when working for longer than normal or under difficult cutting conditions (extensive dust, etc.).		before starting work	at the end of work and/or daily	weekly	monthly	yearly	if faulty	if damaged	as required
Complete machine	Visual inspection	X							
	clean		X						
Intake port for cooling air	Visual inspection		X						
	clean								X
Cutting blades	Visual inspection	X							
	clean <sup>2)</sup>		X						
	sharpen <sup>1)2)</sup>								X
	have them replaced by a specialist dealer <sup>1)</sup>							X	
Gear lubrication	check			X					
	Top up								X
Carbon brushes	inspection by a specialist dealer after every 100 hours of operation <sup>1)</sup>								
	have them replaced by a specialist dealer <sup>1)</sup>								X
All accessible screws, nuts and bolts	retighten								X
Safety information labels	replace							X	

1) STIHL recommends STIHL servicing dealers

2) Afterwards spray the blades with STIHL resin solvent

## Minimize Wear and Avoid Damage

Observing the instructions in this manual helps reduce the risk of unnecessary wear and damage to the power tool.

The power tool must be operated, maintained and stored with the due care and attention described in this instruction manual.

The user is responsible for all damage caused by non-observance of the safety precautions, operating and maintenance instructions in this manual. This includes in particular:

- Alterations or modifications to the product not approved by STIHL.
- Using tools or accessories which are neither approved or suitable for the product or are of a poor quality.
- Using the product for purposes for which it was not designed.
- Using the product for sports or competitive events.
- Consequential damage caused by continuing to use the product with defective components.

### Maintenance Work

All the operations described in the "Maintenance Chart" must be performed on a regular basis. If these maintenance operations cannot be performed by the owner, they should be performed by a servicing dealer.

STIHL recommends that you have servicing and repair work carried out exclusively by an authorized STIHL

servicing dealer. STIHL dealers are regularly given the opportunity to attend training courses and are supplied with the necessary technical information.

If these maintenance operations are not carried out as specified, the user assumes responsibility for any damage that may occur. Among other things, this includes:

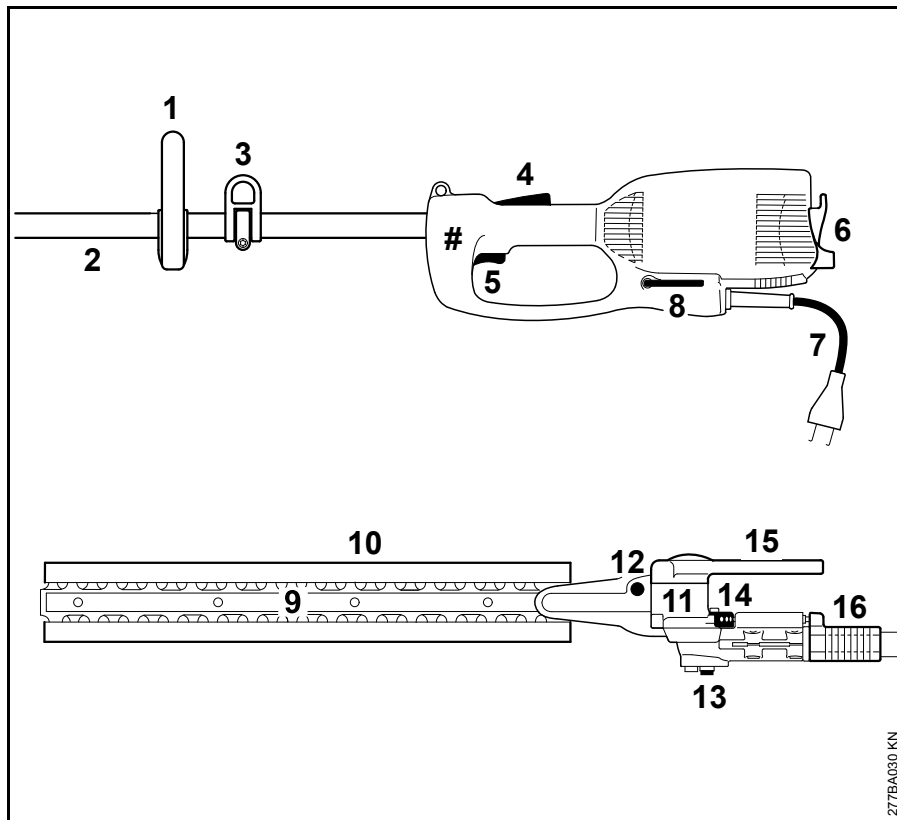
- Damage to the motor due to neglect or deficient maintenance (e.g. not cleaning cooling air inlets).
- Damage due to incorrect electrical connection (voltage, inadequately rated connecting cords).
- Corrosion and other consequential damage resulting from improper storage.
- Damage to the product resulting from the use of poor quality replacement parts.

### Parts Subject to Wear and Tear

Some parts of the power tool are subject to normal wear and tear even during regular operation in accordance with instructions and, depending on the type and duration of use, have to be replaced in good time. Among other parts, this includes:

- Cutting blades

## Main Parts




- 1 Loop handle
- 2 Drive tube
- 3 Carrying ring (HLE 71)
- 4 Starting lockout
- 5 Switch
- 6 Strain relief (cord retainer)
- 7 Power cord
- 8 Angle screwdriver
- 9 Cutting blades
- 10 Blade guard (scabbard)
- 11 Gearbox
- 12 Screw plug, blade drive
- 13 Screw plug, angle drive
- 14 Quadrant
- 15 Adjusting lever
- 16 Sliding sleeve
- # Serial number

277BA030 KN

## Specifications

### Motor

Rated voltage:	230 - 240 V
Rated current:	2.6 A
Frequency:	50 Hz
Power consumption:	600 W
Fuse:	min. 10 A
Protection class:	II, 

### Cutting blades

Blade type:	Double-sided
Sharpening angle relative to horizontal:	45°
Tooth spacing:	35 mm
Stroke rate:	4000 rpm
Cutting length:	500 mm

### Length

Total length with cutting blades	
HLE 71:	2540 mm
HLE 71 K:	2110 mm

### Weight

complete, with gearbox

HLE 71:	5.9 kg
HLE 71 <sup>1)</sup> :	6.5 kg
HLE 71 K:	5.6 kg
HLE 71 K <sup>1)</sup> :	6.2 kg

<sup>1)</sup> Version with 10 m power cord for Great Britain

HLE 71, HLE 71K

### Sound and vibration levels

Sound and vibration levels are determined on the basis of the operating status at nominal maximum speed.

For further details concerning compliance with the employers' Directive on vibration 2002/44/EC, see [www.stihl.com/vib/](http://www.stihl.com/vib/)

#### Sound pressure level $L_p$ to EN 60745-2-15

HLE 71:	84 dB(A)
HLE 71 K:	85 dB(A)

#### Sound power level $L_w$ to EN 60745-2-15

HLE 71:	95 dB(A)
HLE 71 K:	96 dB(A)

#### Vibration level $a_{hv}$ to EN 60745-2-15

HLE 71:	
Left handle:	7.6 m/s <sup>2</sup>
Right handle:	3.6 m/s <sup>2</sup>
HLE 71 K:	
Left handle:	6.9 m/s <sup>2</sup>
Right handle:	4.3 m/s <sup>2</sup>

The K-factor in accordance with Directive 2006/42/EC is 2.5 dB(A) for the sound pressure level and sound power level; the K-factor in accordance with Directive 2006/42/EC is 2.0 m/s<sup>2</sup> for the vibration measurement.

The vibration values quoted above have been measured according to a standardized test procedure and may be used to compare electric power tools.

Depending on the type of usage, the vibrations that actually occur may differ from the values quoted.

The vibration values quoted may be used for an initial assessment of the user's exposure to vibrations.

The actual exposure to vibrations has to be evaluated. This process may also take into account times during which the electric power tool is switched off and times during which it is switched on but running without load.

Observe measures to reduce vibration exposure to protect the user – see section on "Vibrations" in chapter on "Safety Precautions and Working Techniques".

### REACH

REACH is an EC regulation and stands for the Registration, Evaluation, Authorisation and Restriction of Chemical substances.

For information on compliance with the REACH regulation (EC) No. 1907/2006 see [www.stihl.com/reach](http://www.stihl.com/reach).


## Maintenance and Repairs

Users of this machine may only carry out the maintenance and service work described in this user manual. All other repairs must be carried out by a servicing dealer.

STIHL recommends that you have servicing and repair work carried out exclusively by an authorized STIHL servicing dealer. STIHL dealers are regularly given the opportunity to attend training courses and are supplied with the necessary technical information.

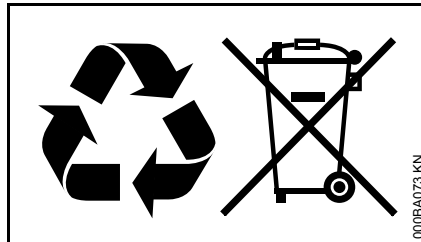
When repairing the machine, only use replacement parts which have been approved by STIHL for this power tool or are technically identical. Only use high-quality replacement parts in order to avoid the risk of accidents and damage to the machine.

STIHL recommends the use of original STIHL replacement parts.

Original STIHL parts can be identified by the STIHL part number, the **STIHL** logo and the STIHL parts symbol  (the symbol may appear alone on small parts).

## Disposal

Observe all country-specific waste disposal rules and regulations.



STIHL products must not be thrown in the garbage can. Take the product, accessories and packaging to an approved disposal site for environment-friendly recycling.

Contact your STIHL servicing dealer for the latest information on waste disposal.

## EC Declaration of Conformity

ANDREAS STIHL AG & Co. KG  
Badstr. 115  
D-71336 Waiblingen

Germany

declare in exclusive responsibility that the product

Category: Electric hedge trimmer  
Make: STIHL  
Model: HLE 71  
HLE 71 K

Serial identification: 4813

conforms to the provisions of Directives 2011/65/EU, 2006/42/EC, 2014/30/EU and 2000/14/EC and has been developed and manufactured in compliance with the following standards in the versions valid at the time of production:

EN 55014-1, EN 55014-2, EN 60745-1, EN 60745-2-15, EN 61000-3-2, EN 61000-3-3, PR EN ISO 10517

The measured and guaranteed sound power levels were determined according to Directive 2000/14/EC, Annex V, using the ISO 11094 standard.

### Measured sound power level

95 dB(A)

### Guaranteed sound power level

97 dB(A)

Technical documents deposited at:

ANDREAS STIHL AG & Co. KG  
Produktzulassung (Product Licensing)

The year of manufacture and serial number are applied to the product.

Done at Waiblingen, 28.10.2016

ANDREAS STIHL AG & Co. KG



Thomas Elsner

Director Product Management and Services



## General Power Tool Safety Warnings

This chapter reproduces the pre-formulated, general safety precautions specified in the EN 60745 European standard for hand-held motor-operated electric tools. **STIHL is required by law to print these standardized texts verbatim.**

**The safety precautions and warnings on avoiding an electric shock given under "2) Electric Precautions" do not apply to STIHL cordless electric power tools**



**Read all safety warnings and instructions.** Failure to follow the warnings and instructions may result in electric shock, fire and/or serious injury.

**Save all warnings and instructions for future reference.**

The term "power tool" in the warnings refers to your mains-operated (corded) power tool or battery-operated (cordless) power tool.

### 1) Work area safety

---

- a) **Keep work area clean and well lit.** Cluttered or dark areas invite accidents.
- b) **Do not operate power tools in explosive atmospheres, such as in the presence of flammable liquids, gases or dust.** Power tools create sparks which may ignite the dust or fumes.
- c) **Keep children and bystanders away while operating a power tool.** Distractions can cause you to lose control.

### 2) Electrical safety

---

- a) **Power tool plugs must match the outlet. Never modify the plug in any way. Do not use any adapter plugs with earthed (grounded) power tools.** Unmodified plugs and matching outlets will reduce risk of electric shock.
- b) **Avoid body contact with earthed or grounded surfaces, such as pipes, radiators, ranges and refrigerators.** There is an increased risk of electric shock if your body is earthed or grounded.
- c) **Do not expose power tools to rain or wet conditions.** Water entering a power tool will increase the risk of electric shock.

- d) **Do not abuse the cord. Never use the cord for carrying, pulling or unplugging the power tool. Keep cord away from heat, oil, sharp edges or moving parts.** Damaged or entangled cords increase the risk of electric shock.
- e) **When operating a power tool outdoors, use an extension cord suitable for outdoor use.** Use of a cord extension suitable for outdoor use reduces the risk of electric shock.
- f) **If operating a power tool in a damp location is unavoidable, use a residual current device (RCD) protected supply.** Use of an RCD reduces the risk of electric shock.

### 3) Personal safety

- a) **Stay alert, watch what you are doing and use common sense when operating a power tool. Do not use a power tool while you are tired or under the influence of drugs, alcohol or medication.** A moment of inattention while operating power tools may result in serious personal injury.
- b) **Use personal protective equipment. Always wear eye protection.** Protective equipment such as dust mask, non-skid safety shoes, hard hat, or hearing protection used for appropriate conditions will reduce personal injuries.

- c) **Prevent unintentional starting. Ensure the switch is in the off position before connecting to power source and/or battery pack, picking up or carrying the power tool.** Carrying power tools with your finger on the switch or energising power tools that have the switch on invites accidents.
- d) **Remove any adjusting key or wrench before turning the power tool on.** A wrench or a key left attached to a rotating part of the power tool may result in personal injury.
- e) **Do not overreach. Keep proper footing and balance at all times.** This enables better control of the power tool in unexpected situations.
- f) **Dress properly. Do not wear loose clothing or jewellery. Keep your hair, clothing and gloves away from moving parts.** Loose clothes, jewellery or long hair can be caught in moving parts.
- g) **If devices are provided for connection of dust extraction and -collection facilities, ensure these are connected and properly used.** Use of dust collection can reduce dust-related hazards.

### 4) Power tool use and care

- a) **Do not force the power tool. Use the correct power tool for your application.** The correct power tool will do the job better and safer at the rate for which it was designed.
- b) **Do not use the power tool if the switch does not turn it on and off.** Any power tool that cannot be controlled with the switch is dangerous and must be repaired.
- c) **Disconnect the plug from the power source and/or the battery pack from the power tool before making any adjustments, changing accessories, or storing power tools.** Such preventive safety measures reduce the risk of starting the power tool accidentally.
- d) **Store idle power tools out of the reach of children and do not allow persons unfamiliar with the power tool or these instructions to operate the power tool.** Power tools are dangerous in the hands of untrained users.
- e) **Maintain power tools. Check for misalignment or binding of moving parts, breakage of parts and any other condition that may affect the power tool's operation. If damaged, have the power tool repaired before use.** Many accidents are caused by poorly maintained power tools.



- f) **Keep cutting attachments sharp and clean.** Properly maintained cutting attachments with sharp cutting edges are less likely to bind and are easier to control.
  - g) **Use the power tool, accessories, tool bits etc. in accordance with these instructions, taking into account the working conditions and the work to be performed.** Use of the power tool for operations different from those intended could result in a hazardous situation.
- **Always hold your electric power tool by the insulated handles because the cutting blades may contact hidden electrical wires or your own power cord.** Any blade contact with a live wire may energize metallic parts of the power tool and result in an electric shock.
  - **Keep the power cord away from cutting area.** During operation the power cord may be hidden in shrubs and can be accidentally severed by the blade.

## 5) Service

- a) **Have your electric power tool serviced by a qualified repair person using only original replacement parts.** This will ensure that the safety of the power tool is maintained.

## Hedge Trimmer Safety Warnings

- **Keep all parts of the body away from the cutting blades. Do not remove cut material or hold material to be cut when blades are moving. Make sure the switch is off when clearing jammed material.** A moment of inattention while operating the hedge trimmer may result in serious personal injury.
- **Carry the hedge trimmer by the handle with the cutting blades stopped. When transporting or storing the hedge trimmer always fit the blade scabbard.** Proper handling of the hedge trimmer will reduce possible personal injury from the cutting blades.





0458-277-0121-A

englisch



[www.stihl.com](http://www.stihl.com)



0458-277-0121-A